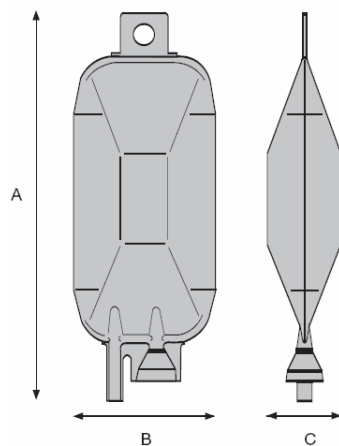


IV Containers with Membrane Neck

100ml, 250ml, 500ml, 1000ml, 3000ml



Ref no	1643A	1644A	1645A	1646A	1718A
Volume (ml)	100	250	500	1000	3000
Material	PP	PP	PP	PP	PP
Rubber disc	Yes	Yes	Yes	Yes	Yes
Additive port	No	No	No	No	No
Colour	Natural	Natural	Natural	Natural	Natural
Dimension A (mm)	223	234	278.5	354	453
Dimension B (mm)	84	84	84	105	150
Dimension C (mm)	15	36	56	70	100
Weight (gr)	17.5	16.1	20.0	27.6	72.5
Packing (pcs/carton)	390	596	510	275	80
Volume of carton (m3)	0.094	0.144	0.144	0.144	0.144
Carton dimension: l x w x h (mm)	600x400x391	800x400x450	800x400x450	800x400x450	800x400x450
Carton weight filled (kg)	7.9	11.1	11.7	9.1	7.3
Cartons/EUR pallet	16	12	12	12	12
Quantity/EUR pallet	6,240	7,152	6,120	3,300	960
Sterilization	Autoclavable				

The data set forth herein has been carefully compiled by MedicoPack A/S. However, there is no warranty of any kind either express or implied, applicable to its use and the user assumes all risk and liability in connection therewith.